

FILM CHIP CAPACITOR ARRAY

T Y P E F C A

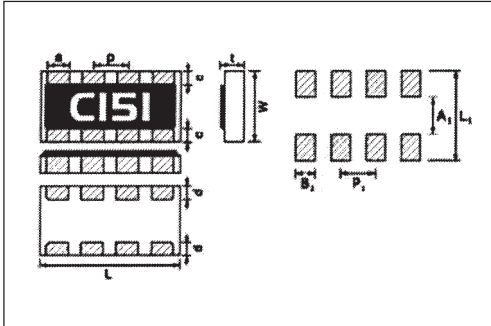
FEATURES

Compact size for space saving
Excellent solderability

APPLICATIONS

- Input/Output ports circuits
- LCD monitors and Panel circuits
- EMI applications

CONSTRUCTION & DIMENSIONS



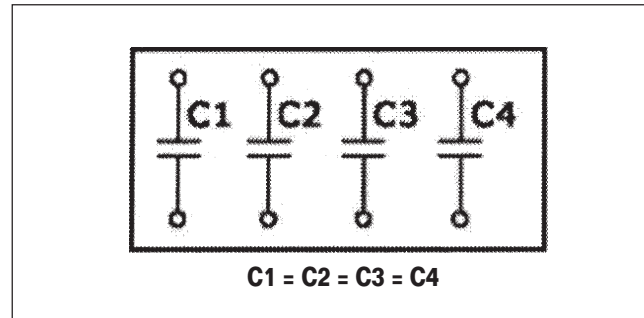
Type	L	W	t	a	c	d	p
1206	3.20 ± 0.30	1.60 ± 0.20	0.50 ± 0.10	0.50 ± 0.20	0.30 ± 0.20	0.30 ± 0.20	0.80 Typ

(mm)

GENERAL SPECIFICATIONS

Item	Specification
Capacitance Range	10~220pf
Capacitance Tolerance	±10% (K), ±20% (M)
Temperature Characteristic	ΔC: +20%/-20% (-25°C~+50°C)
Dissipation factor	Less than 3.0% (25°C, 1kHz*, 1Vrms)
Operating Temperature Range	-25°C~+85°C
Rate Applied	25V

CIRCUIT



RECOMMENDED PAD SIZE

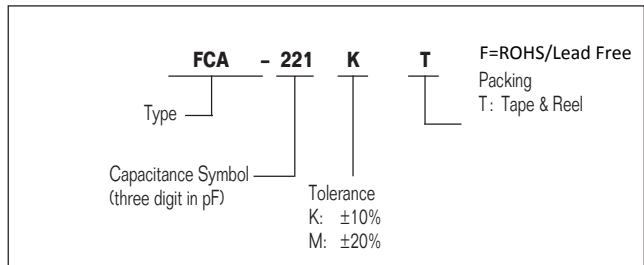
A ₁	B ₁	P ₁	L ₁
0.8	0.5	0.8	2.6

PACKAGING

TAPE & REEL = 5000 PCS./Reel

Test condition is 1kHz, 1Vrms ±10% and the environment temperature is 25°C ± 2°C. If the measuring frequency is 1Mhz, the measurement value may be different.

ORDERING INFORMATION



ATTENUATION CHARACTERISTICS

